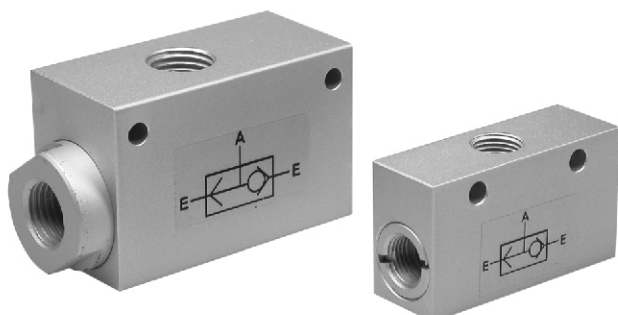


### Features

- This valve has two input inlets(E1,E2) and can be controlled in different position.
- First activated position can get through to output signal(A).

### Specification

Model	MVAS	
Bore No.	6A	8A
Port size	1/8	1/4
Medium	Air	
Operating pressure range	0.1~1 MPa	
Proof pressure	1.5 MPa	
Effective orifice	11.5 mm <sup>2</sup>	30.5 mm <sup>2</sup>
Ambient temperature	- 15~+ 60°C (No freezing)	
Weight	43g	119g



### Order example

MVAS - 6A - G

MODEL

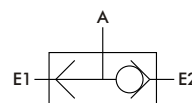
BORE SIZE

6A: 1/8  
8A: 1/4

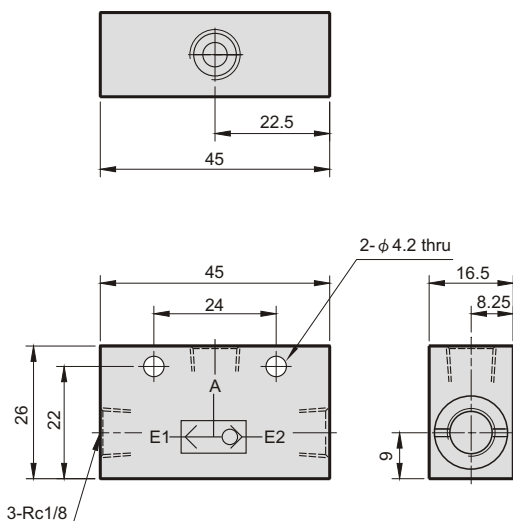
PORT THREAD

Blank: Rc thread  
G: G thread  
NPT: NPT thread

### Symbol



### MVAS-6A



### MVAS-8A

