

# MVHB-220 series

## HAND LEVER VALVE



mindman



### Specification

Model	MVHB-220-4TV MVHB-220-4TV-SP	MVHB-220-4TV* MVHB-220-4TV*-SP
Bore No. (Port size)	8A (Rc1/4)	
No. of port	5	
No. of position	2	3
Medium	Air	
Operating pressure range	0~0.8 MPa	
Effective orifice	18 mm <sup>2</sup>	16 mm <sup>2</sup>
Ambient temperature	-5~+60°C (No freezing)	
Weight	193 g	234 g

### Order example

MVHB - 220 - 4TVC - SP - M - G

MODEL

BODY WIDTH

4way

VALVE TYPE

SPRING RETURN

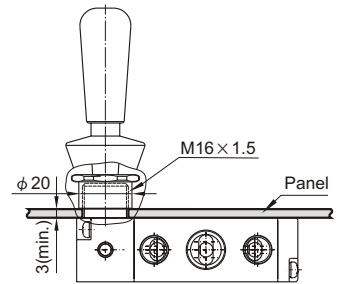
Blank: Standard type  
M: Panel mounting

PORT THREAD

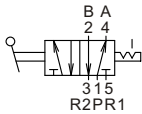
Blank: Rc thread  
G: G thread  
NPT: NPT thread

Blank: 5/2  
C: Close center (5/3)  
P: Pressure center (5/3)  
R: Exhaust center (5/3)

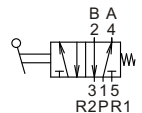
### Panel mounting style



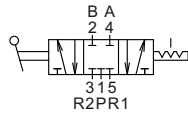
#### MVHB-220-4TV



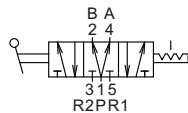
#### MVHB-220-4TV-SP



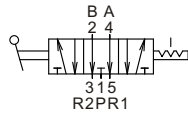
#### MVHB-220-4TVC



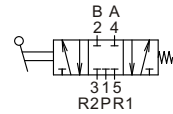
#### MVHB-220-4TVP



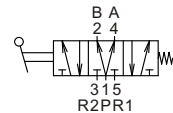
#### MVHB-220-4TVR



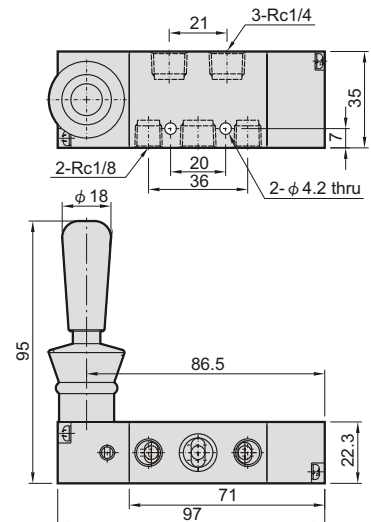
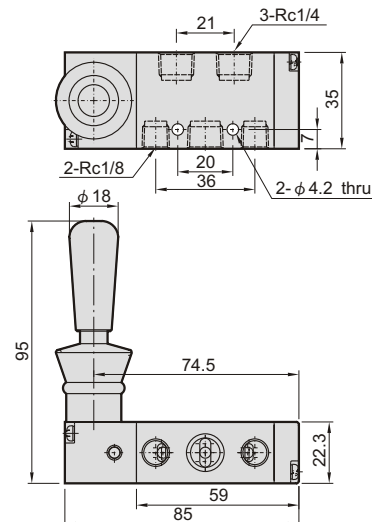
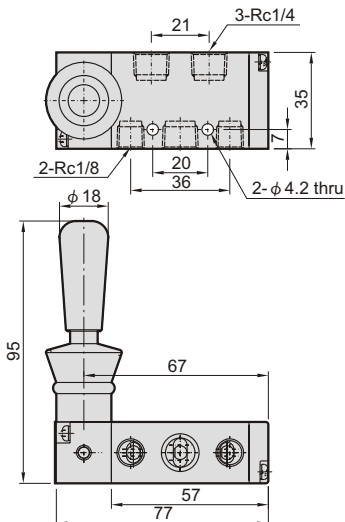
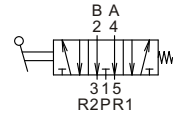
#### MVHB-220-4TVC-SP



#### MVHB-220-4TVP-SP



#### MVHB-220-4TVR-SP



mindman