

MVMC-210 series

MECHANICAL VALVES



mindman



Specification

Model	MVMC-210	
Bore No.	6A	8A
Port size	Rc1/8	Rc1/4
No. of port	3	
No. of position	2	
Medium	Air	
Operating pressure range	0~1 MPa	
Proof pressure	1 MPa	
Effective orifice	19 mm ²	
Ambient temperature	-5~+60°C (No freezing)	
Weight	155 g	

(Fig. 1)
Actuator-holder
(Fig. 2)



- Type $\phi 22$ only show body and actuator-holder in Fig. 2.
- Type $\phi 25$, $\phi 30$ fix bracket in Fig. 1.
- Type $\phi 22$ actuator set or released by one-action.
- Type $\phi 25$, $\phi 30$ Actuator set or released by screwdriver.

Order example

MVMC - 210 - 6A - 3EB - 25R - G

MODEL

BODY WIDTH

BORE SIZE
6A: Rc1/8
8A: Rc1/4

3way

BUTTON SIZE

22: $\phi 22$
25: $\phi 25$
30: $\phi 30$

B1: body (without button)
R1: roller lever
EB: latching palm button
LB: extended twist button
TB: twist button
PB: mushroom palm button
PP: push button

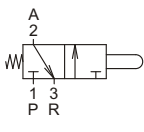
BUTTON COLOR

Type	Color
B1 type R1 type	—
EB type	G : Green R : Red
LB type TB type	B : Black
PB type PP type	B : Black G : Green R : Red

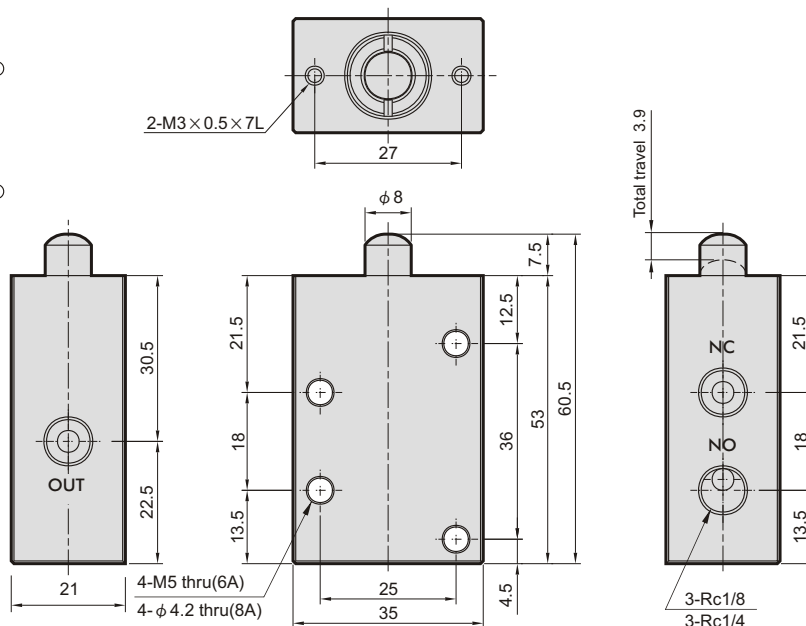
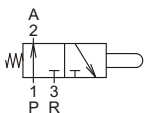
PORT THREAD
Blank: Rc thread
G: G thread
NPT: NPT thread

MVMC-210-3B1

NC



NO

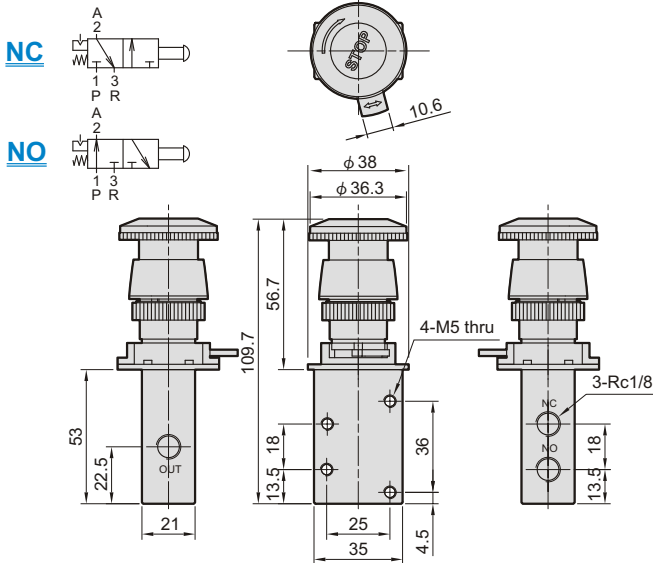


mindman

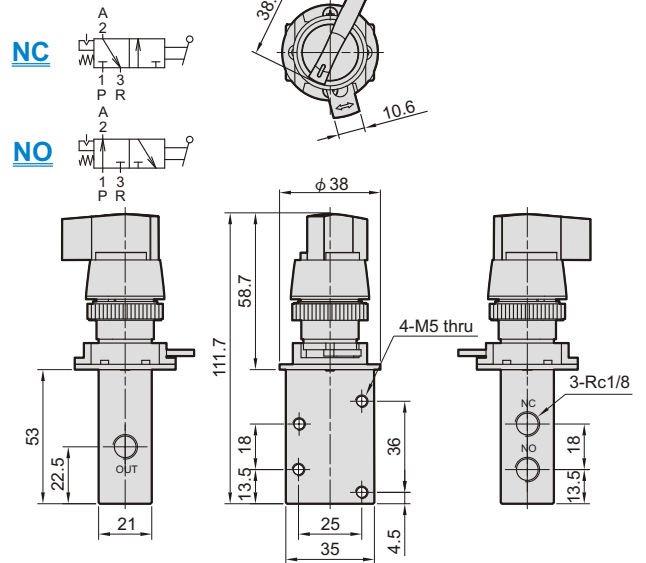
MVMC-210 Dimensions

MECHANICAL VALVES

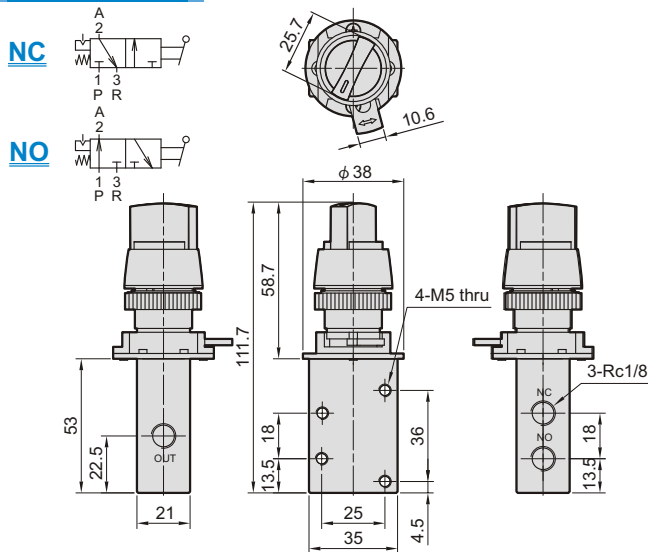
3EB-22



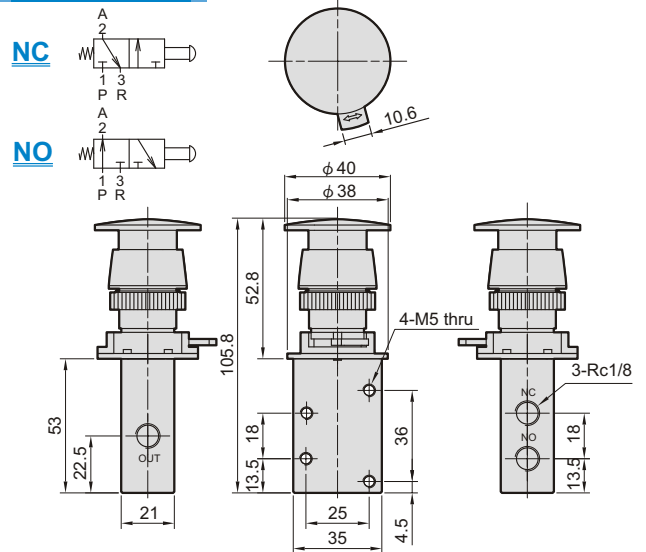
3LB-22



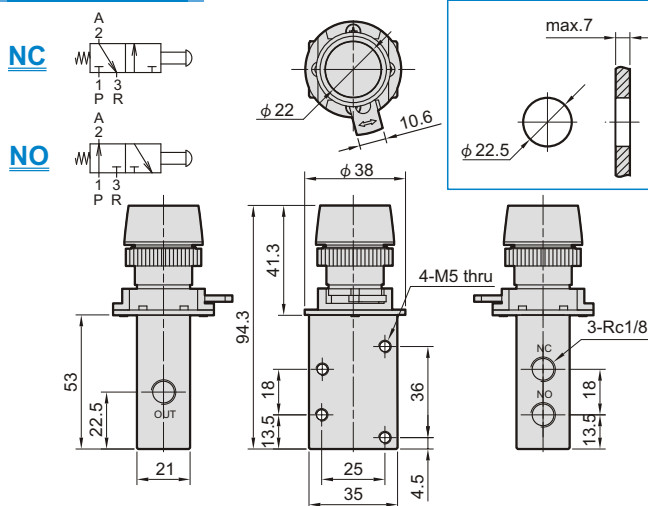
3TB-22



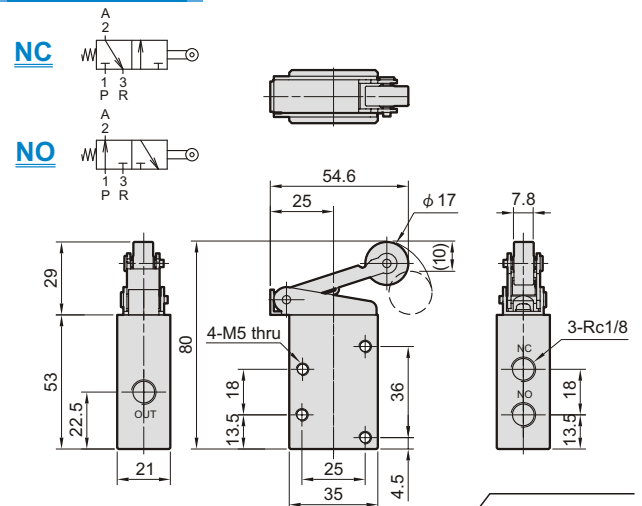
3PB-22



3PP-22



3R1

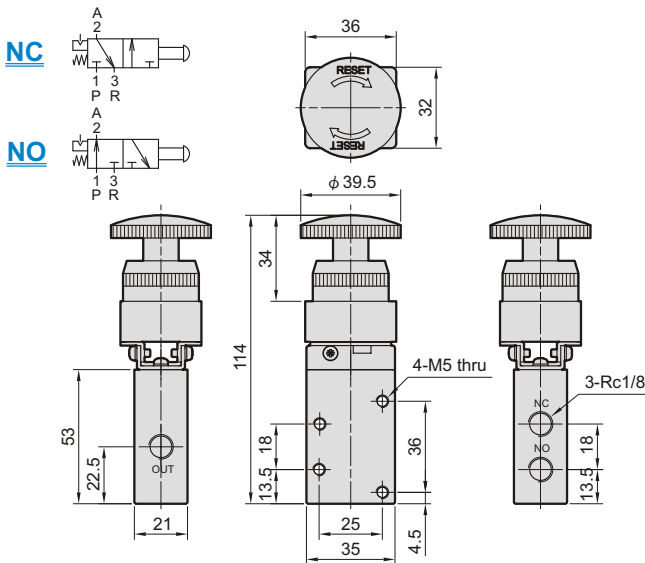


MVMC-210 Dimensions

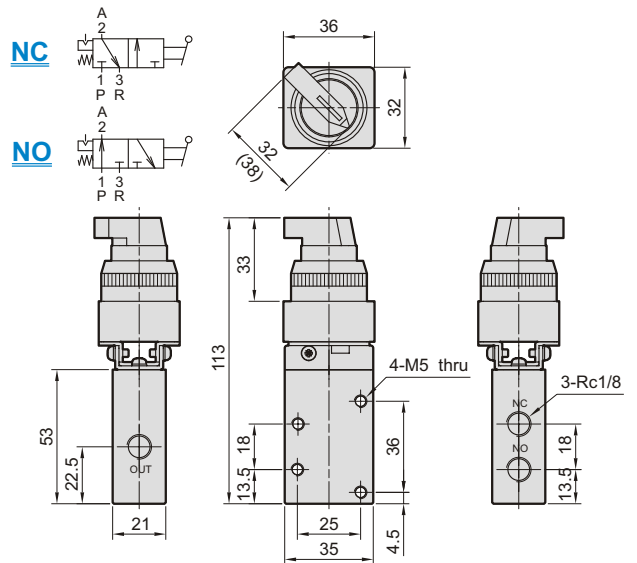
MECHANICAL VALVES



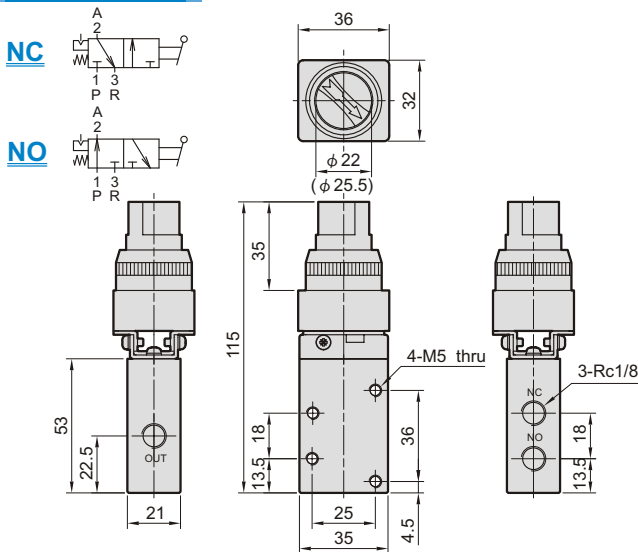
3EB-25/30



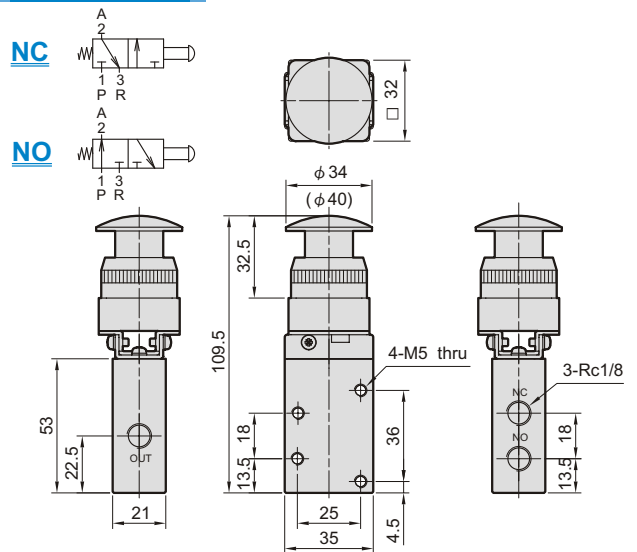
3LB-25/30



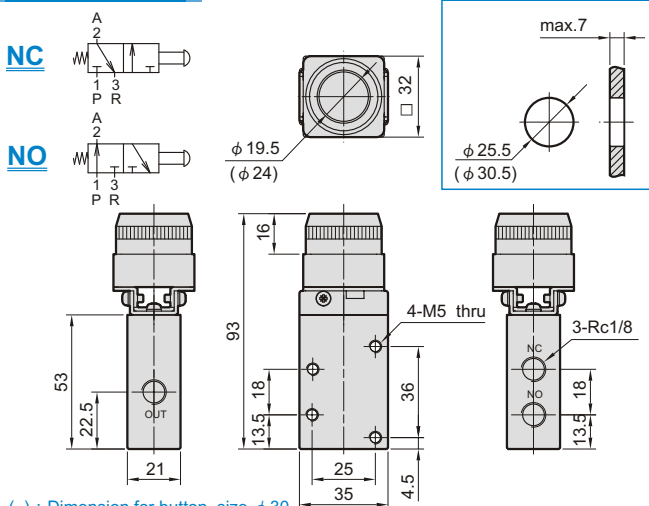
3TB-25/30



3PB-25/30



3PP-25/30



3R1

