

MVHB-500 series

HAND LEVER VALVE



mindman



Specification

| Model | MVHB-500(V)-4TV | MVHB-500(V)-4TV* |
|--------------------------|------------------------|---------------------|
| | MVHB-500(V)-4TV-SP | MVHB-500(V)-4TV*-SP |
| Bore No. | 15A | |
| Port size | Rc1/2 | |
| No. of port | 5 | |
| No. of position | 2 | 3 |
| Medium | Air | |
| Operating pressure range | 0~1.2 MPa | |
| Effective orifice | 41 mm ² | |
| Ambient temperature | -5~+60°C (No freezing) | |
| Weight | 519 g | 560 g |

Order example

MVHB - 500V - 4TVC - SP - G

MODEL

BODY WIDTH

4way

VALVE TYPE

SPRING RETURN

PORT THREAD

Blank: Standard type
V: Vertical type

Blank: 5/2

C: Close center (5/3)

P: Pressure center (5/3)

R: Exhaust center (5/3)

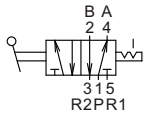
Blank: Rc thread

G: G thread

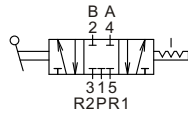
NPT: NPT thread

* Vertical type can be used with MVSE-500 manifold (Refer to page A-31)

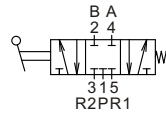
MVHB-500-4TV



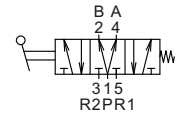
MVHB-500-4TVC



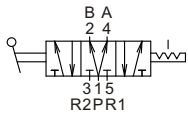
MVHB-500-4TVC-SP



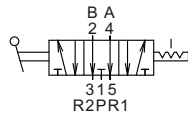
MVHB-500-4TVP-SP



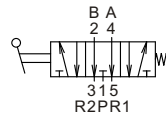
MVHB-500-4TVP



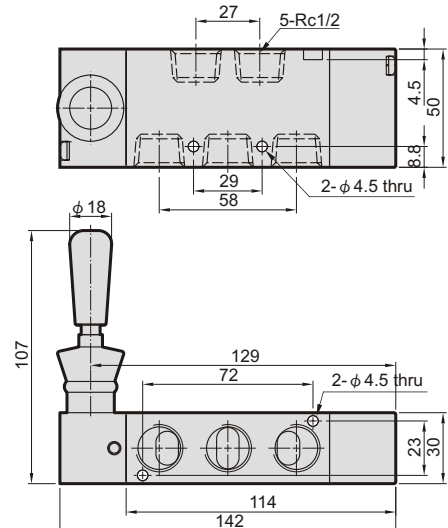
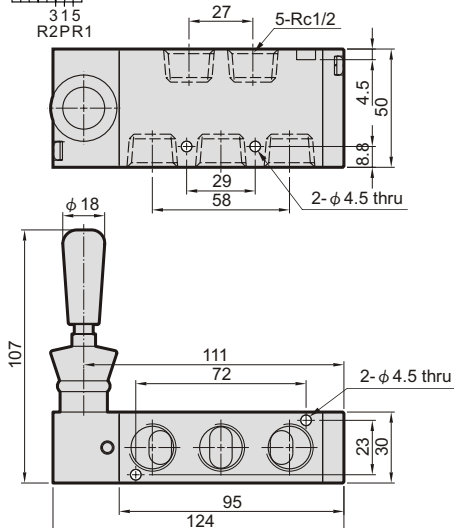
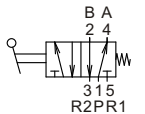
MVHB-500-4TVR



MVHB-500-4TVR-SP



MVHB-500-4TV-SP



mindman

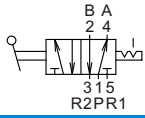
MVHB-500 Dimensions

HAND LEVER VALVE

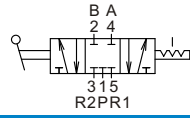


mindman

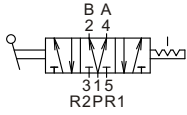
MVHB-500V-4TV



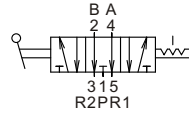
MVHB-500V-4TVC



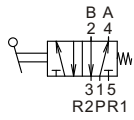
MVHB-500V-4TVP



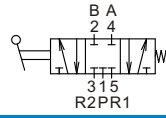
MVHB-500V-4TVR



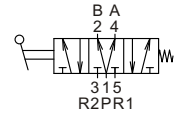
MVHB-500V-4TV-SP



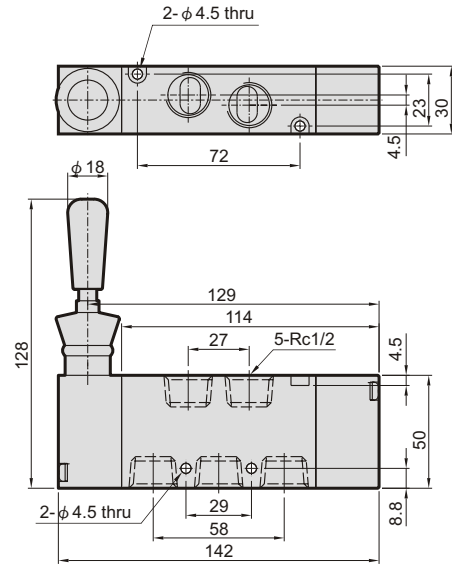
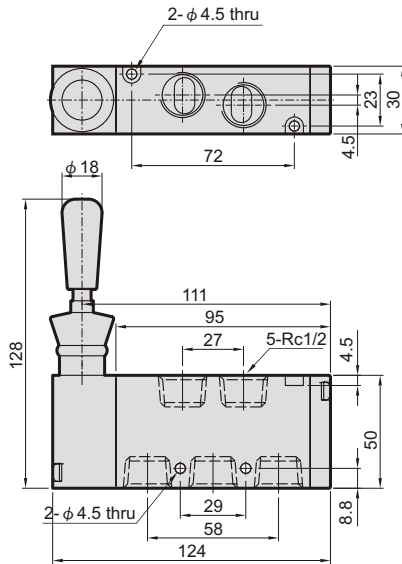
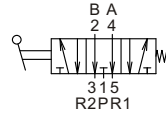
MVHB-500V-4TVC-SP



MVHB-500V-4TVP-SP



MVHB-500V-4TVR-SP



mindman