

MAL300 series

AIR UNITS (L.UNIT)



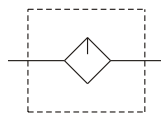
mindman



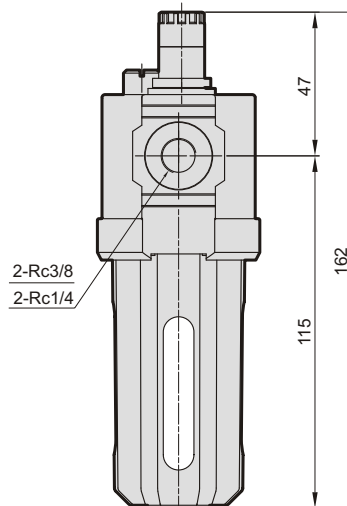
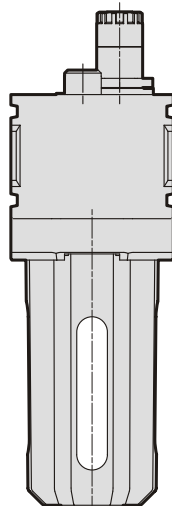
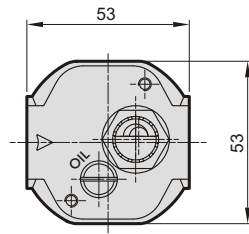
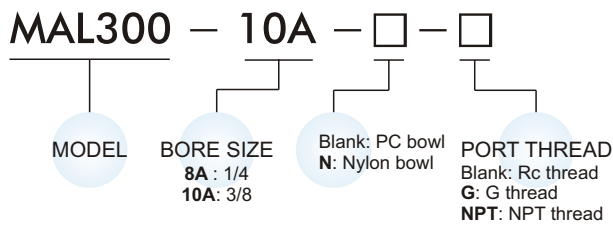
Specification

Model	MAL300	
Bore No.	8A	10A
Port size	1/4	3/8
Medium	Air	
Max. operating pressure	1 MPa	
Proof pressure	1.5 MPa	
Ambient temperature	-5~+60℃ (No freezing)	
Lubricating oil capacity	55c.c	
Min. Flow for oil drip	50 ℓ/min	60 ℓ/min
Recommended lubricating oil	Turbine oil ISO-VG32	
Weight	265 g	

Symbol



Order example



mindman