

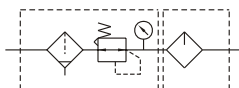
MACP401 series

AIR UNITS (F.R.L.UNIT)



Option: MP41

Symbol



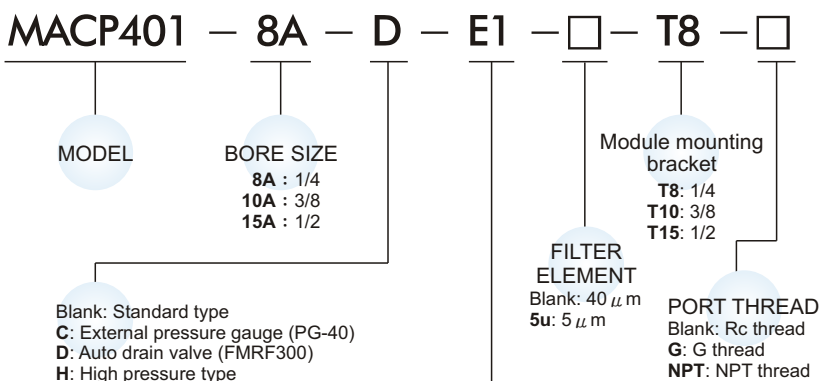
Specification

Model	MACP401		
Components	MAFR401, MAL401		
Bore No.	8A	10A	15A
Port size	1/4	3/8	1/2
Medium	Air		
Operating pressure range (※)	0.05~1.5 MPa		
Proof pressure	2 MPa		
Regulated pressure range	Standard type: 0.1~0.85 MPa		
	High pressure type: 0.1~1.5 MPa		
Ambient temperature	-5~+60°C (No freezing)		
Filter element	Standard: 40 μm Option: 5 μm		
Lubricating oil capacity	200c.c		
Min. Flow for oil drip	30 ℓ/min	65 ℓ/min	80 ℓ/min
Recommended lubricating oil	Turbine oil ISO-VG32		
Attachment	Pressure gauge(PG-20), L-type bracket		
Weight	1518 g		

※ 1. Standard unit contains semi-auto-drain function when operating pressure below 0.05 MPa.

※ 2. Choose auto-drain FMRF300, the pressure range is 0.15 ~ 1 MPa.

Order example



- Blank: Standard type
- C: External pressure gauge (PG-40)
- D: Auto drain valve (FMRF300)
- H: High pressure type
(Required with external pressure gauge PG-40)
- P: Pressure switch (MPS series)

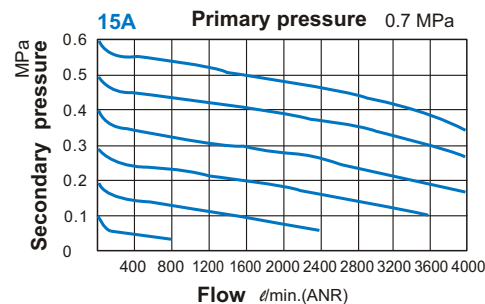
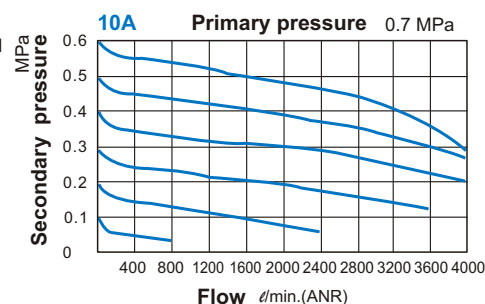
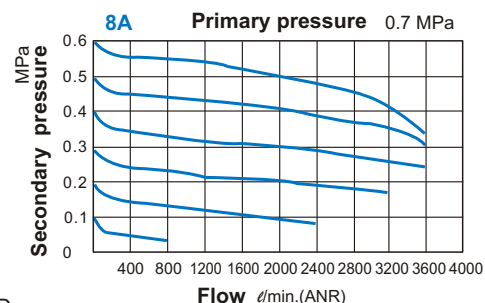
※ (H) High pressure type can not choose with auto drain valve (FMRF300) when operating pressure over than 1 MPa.

PRESSURE SWITCH

- E1: MP41P-02
- E2: MP41P-02-QD
- E3: MP41P-02-J
- E4: MP41P-02-QD-J
- E5: MP41P-04
- E6: MP41P-04-QD
- E7: MP41P-04-J
- E8: MP41P-04-QD-J

※ Refer to page E-13 for the option of digital pressure switch MP41.

Flow feature

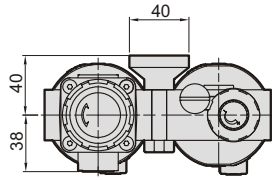


MACP401 Dimensions

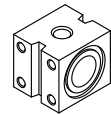
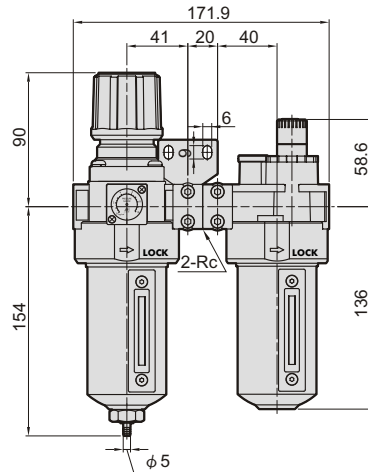
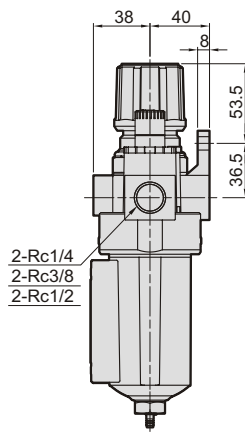
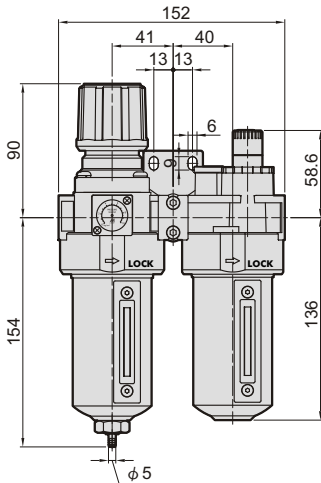
AIR UNITS (F.R.L.UNIT)



mindman



MACP401-T*

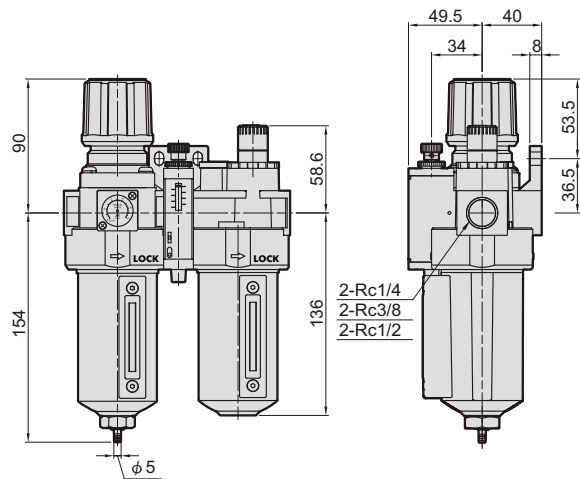
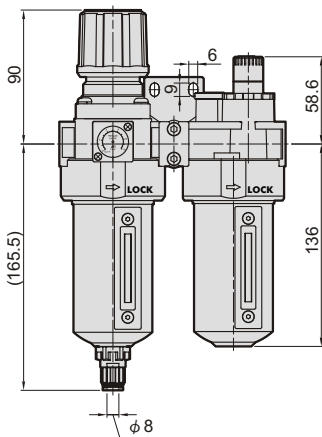


	Rc
T8	Rc1/4
T10	Rc3/8
T15	Rc1/2

MACP401-D

MACP401-P

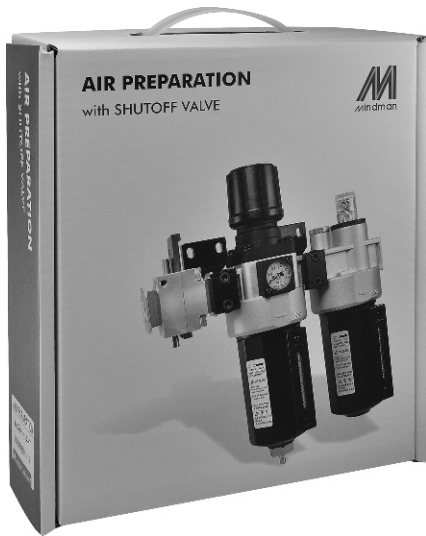
MPS Series
pneumatic pressure switch



mindman

MACP401-HT with shutoff valve

AIR UNITS (F.R.L.UNIT)



Order example

MACP401 – 8A – D – E1 – □ – HT – □

MODEL

BORE SIZE

8A: 1/4
10A: 3/8
15A: 1/2

PRESSURE SWITCH

E1: MP41P-02
E2: MP41P-02-QD
E3: MP41P-02-J
E4: MP41P-02-QD-J
E5: MP41P-04
E6: MP41P-04-QD
E7: MP41P-04-J
E8: MP41P-04-QD-J

FILTER ELEMENT

Blank: 5 μ m
40u: 40 μ m

PORT THREAD

Blank: Rc thread
G: G thread
NPT: NPT thread

SHUTOFF VALVE

HT: MVHT-400-3H

Blank: Standard type
C: External pressure gauge (PG-40)
D: Auto drain valve (FMRF300)
H: High pressure type (Required with external pressure gauge PG-40)
P: Pressure switch (MPS series)

※ Refer to page E-13 for the option of digital pressure switch MP41.

※ (H) High pressure type can not choose with auto drain valve (FMRF300) when operating pressure over than 1 MPa.

