



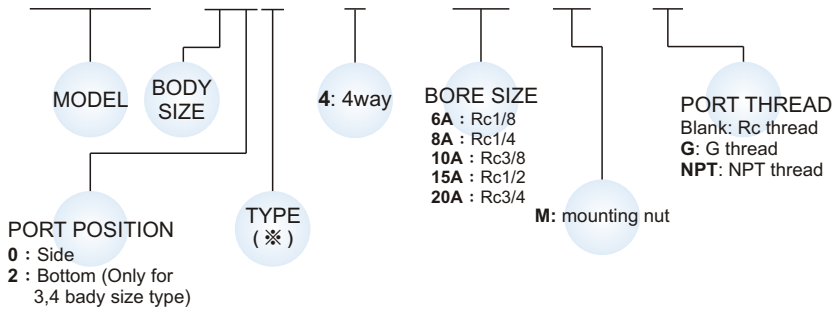
### Specification

Model	MVHC-2**		MVHC-3**				MVHC-4**		
Bore No.	6A	8A	8A	10A	15A	8A	10A	15A	20A
No. of port	4								
Medium	Air								
Operating pressure range	0~1 MPa								
Effective orifice (mm <sup>2</sup> )	7	26	29	33	26	59	64	71	
Ambient temperature	-5~+60°C (No freezing)								
Option	Mounting nut								
Weight	280 g		420 g				1100 g		

Bore size		6A	8A	10A	15A	20A
Model		Rc1/8	Rc1/4	Rc3/8	Rc1/2	Rc3/4
MVHC-2**						
MVHC-3**						
MVHC-4**						

### Order example

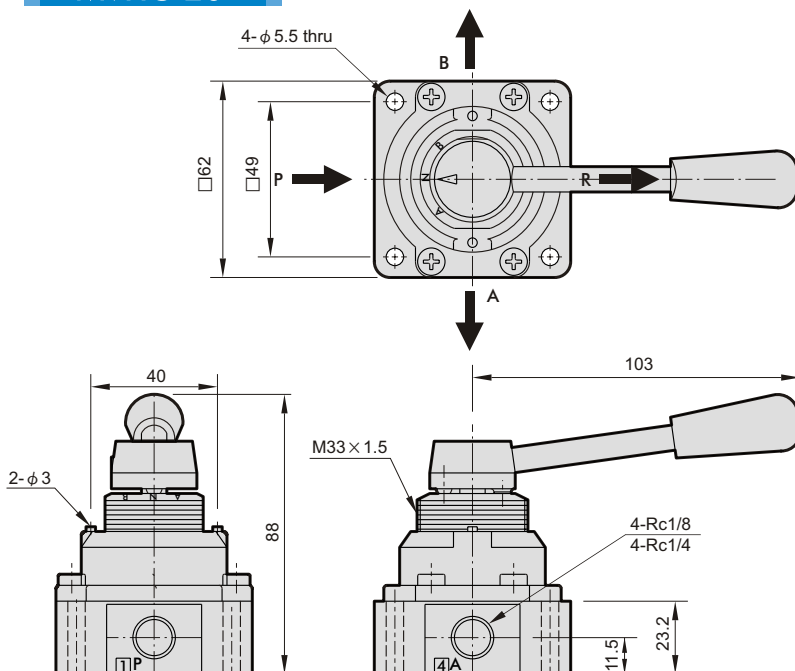
MVHC - 200 - 4H - 8A - □ - G



### (※) TYPE

Code	Symbol	Description
0		3 Position Close center
1		3 Position Exhaust center
2		2 Position

### MVHC-20\*

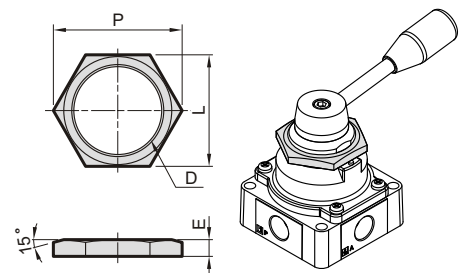


### Mounting nut

#### Order example

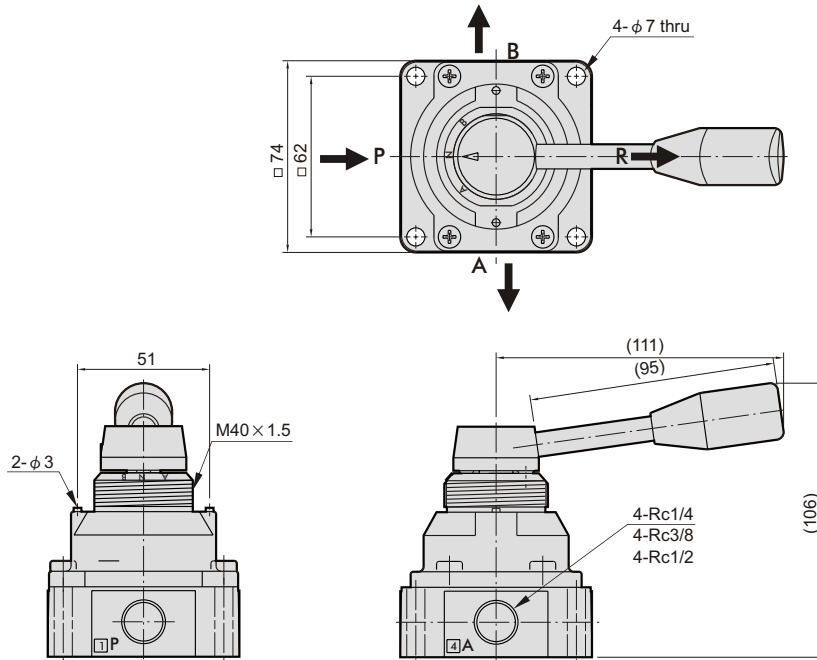
MVHC - 200 - M

BODY SIZE  
200  
300  
400

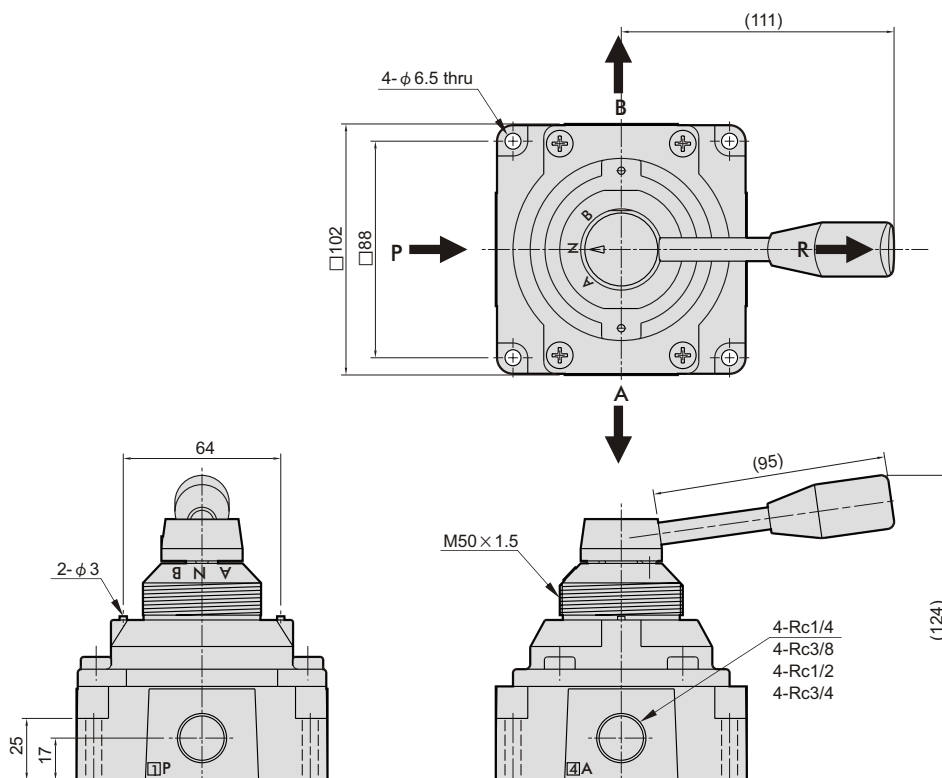


Model	D	E	L	P	Weight
MVHC-200-M	M33×1.5	6	41	46	26.5 g
MVHC-300-M	M40×1.5	6	50	57	41 g
MVHC-400-M	M50×1.5	8	55	63	40 g

### MVHC-30\*



### MVHC-40\*



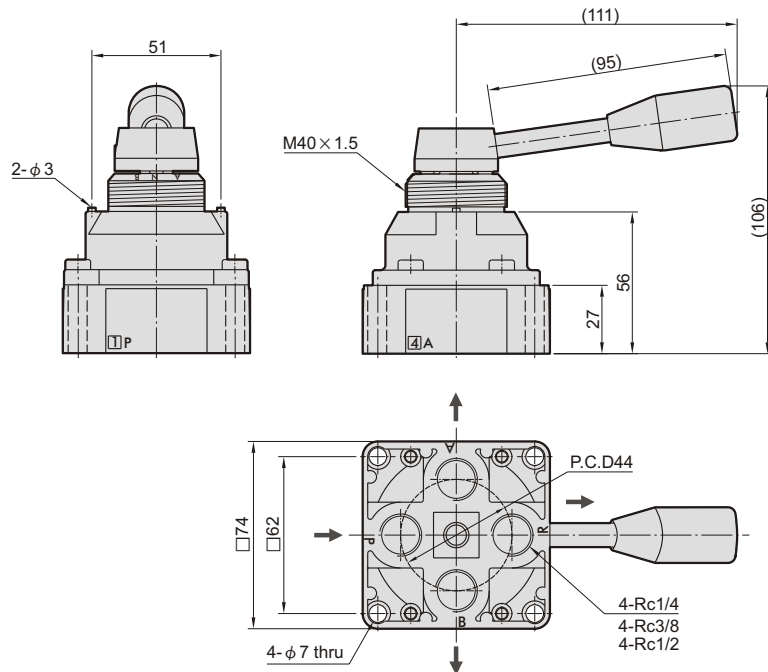
# MVHC Dimensions

## ROTARY HAND LEVER VALVE

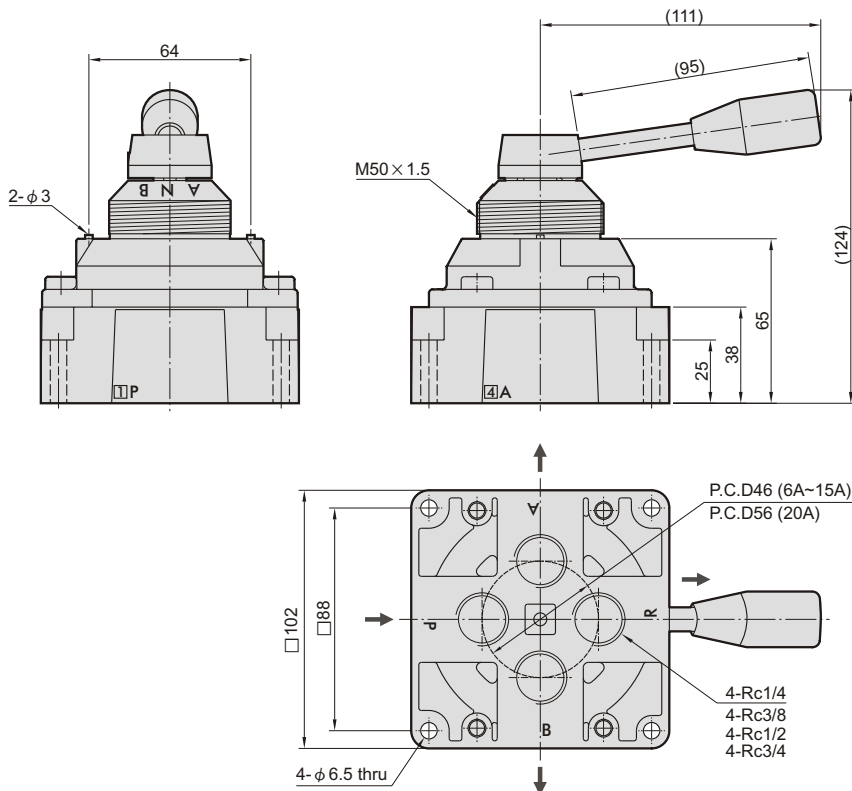


mindman

### MVHC-32\*



### MVHC-42\*



mindman