

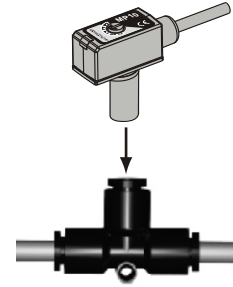
MP10 series

PNEUMATIC PRESSURE SWITCH



Features

- Simple installation, plug-in port or thread-in fitting.
- Compact size: 26×10×10.4 mm.
- Setting pressure range:
Vacuum (0~ -101.3 kPa)
Positive (0~0.6 MPa)
- Low cost.

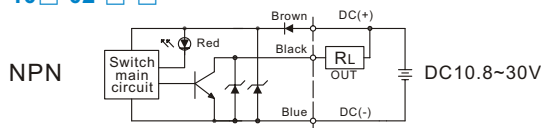


Specification

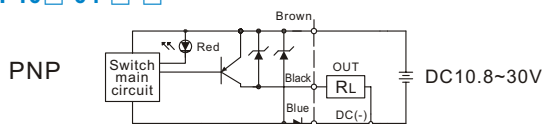
Model	MP10V (Vacuum)	MP10P (Positive)
Setting pressure range	0 ~ -101.3 kPa	0 ~ 0.6 MPa
Withstand pressure	0.6 MPa	1.5 MPa
Fluid	Air, Non-corrosive / Non-flammable gas	
Power supply voltage	10.8 to 30V DC (include ripple voltage)	
Load current	80mA max.	
Internal voltage drop	NPN / 0.8V, PNP / 0.8V	
Current consumption	10mA max.	
Sensor type	NPN or PNP	
Output short circuit protection	Yes	
Setting method	Adjusting by VR	
Response time	Approx. 1ms	
Repeatability	≤ ±1% F.S.	
Hysteresis	3% F.S. max.	
Indicator	Red LED turns ON	
Enclosure	IP 40	
Temperature characteristic	≤ ±3% F.S. of detected pressure (25°C) at temp. Range of 0~50°C	
Ambient temp. range	Operation: 0 ~ 60°C, storage: -20 ~ 70°C (No condensation or freezing)	
Ambient humidity range	Operation / Storage: 35~85% RH (No condensation)	
Vibration	Total amplitude 1.5mm, 10Hz- 55Hz- 10Hz scan for 1 minute, two hours each direction of X, Y and Y	
Shock	980m/s ² (100G), 3 times each in direction of X, Y and Z	
Piping method	Push-in tube or thread-in	
Lead wire	Oil-resistance cable, 3 wires (0.18mm ²), φ2.6mm	
Weight	Approx. 50 g (with 3-meter lead wire)	

Circuit wiring diagram

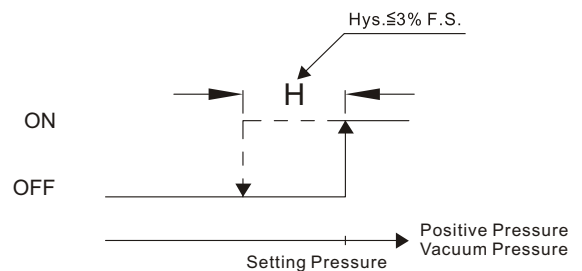
MP10□-02-□-□



MP10□-04-□-□



Output type



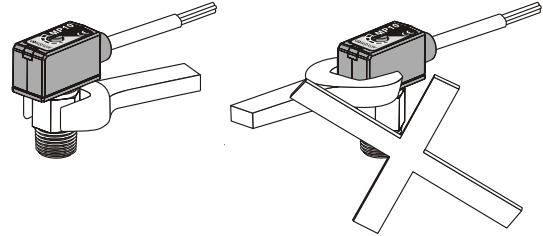
MP10 Dimensions

PNEUMATIC PRESSURE SWITCH



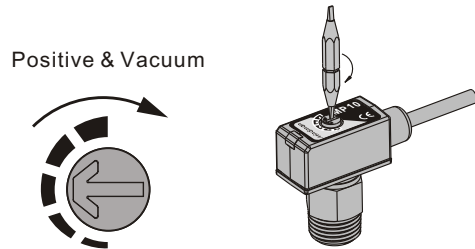
Installation precautions

- When mounting, always use the wrench on the metallic area near the pressure port. Never apply a wrench to the plastic body, it will damage the sensor.
- Over tightening may cause damages to the port thread, mounting bracket and pressure sensor. Under tightening may result loosen or leakage.
- Apply pressure and power after installation and make necessary adjustments and inspect any possible signs of leakage to ensure proper installation.

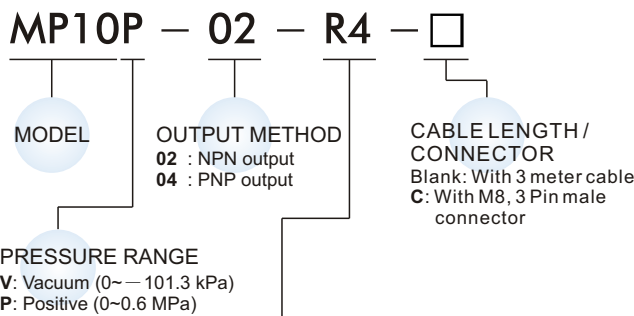


How to set pressure

- Use the pressure setting trimmer to set "ON" pressure. Rotate clockwise to increase pressure setpoint. Rotate counter-clockwise to decrease pressure setpoint.
- Use appropriate size screwdriver for the setting trimmers. Gently turn the screwdriver to make adjustments. To prevent damage to the Pressure setting trimmer, DO NOT force the trimmer when it comes to a stop.



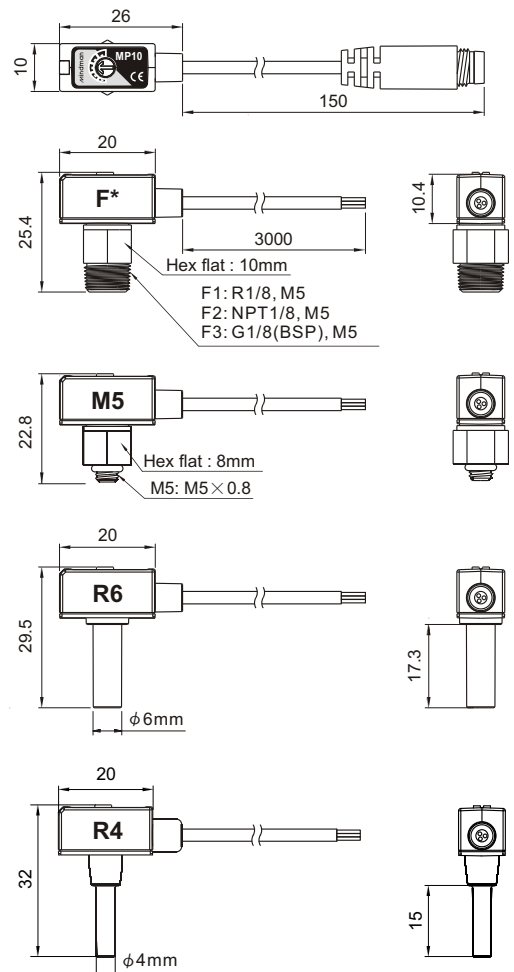
Order example



Pressure port	R4 / R6	F1 / F2 / F3	M5
Appearance			
Port size	R4: ϕ 4mm R6: ϕ 6mm	F1: R1/8, M5 F2: NPT1/8, M5 F3: G1/8, M5	M5: M5 \times 0.8

Dimensions

Unit:mm



Optional part dimensions

M8 3-Pin female connector Model: **M83R-W0114-2M**

