

MVHD-220 series

HAND VALVE



Specification

Model	MVHD-220-3P	MVHD-220-4P
Bore No.	8A	6A, 8A
Port size	Rc1/4	Rc1/8, Rc1/4
No. of port	3	5
No. of position	2	
Medium	Air	
Operating pressure range	0~0.8 MPa	
Effective orifice	18 mm ²	
Ambient temperature	-5~+50°C (No freezing)	
Weight	199 g	180 g

Order example

MVHD - 220 - 4P - □ - G

MODEL

BODY WIDTH

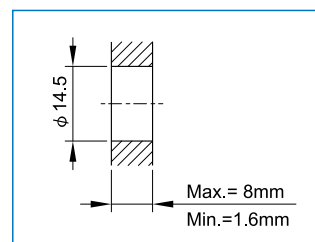
3: 3 way
4: 4 way

ACTUATOR TYPE
P: Push-pull

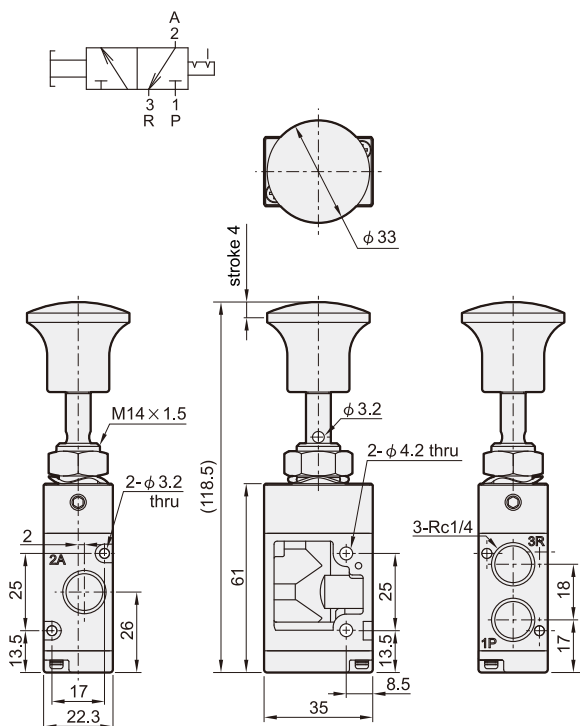
BORE SIZE
Blank: Rc1/4
6A: Rc1/8
(Only for 4P)

PORT THREAD
Blank: Rc thread
G: G thread
NPT: NPT thread

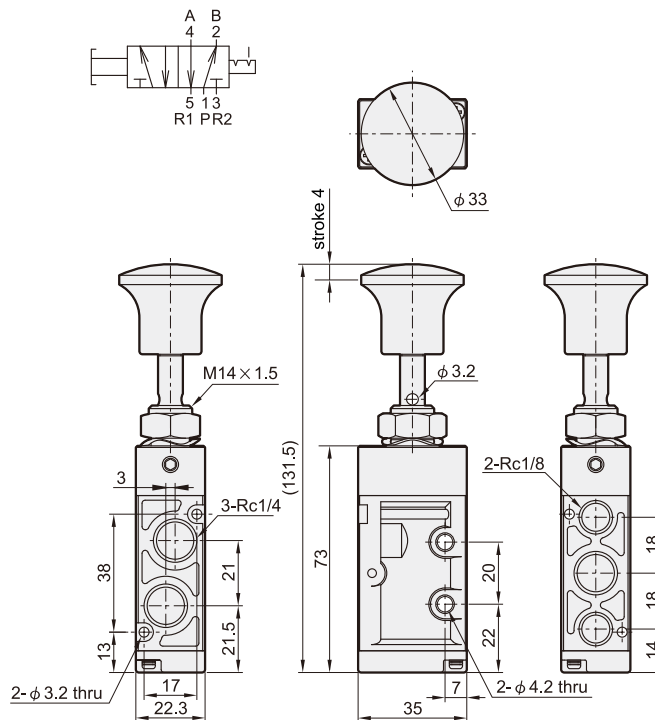
Panel mounting hole



MVHD-220-3P



MVHD-220-4P



Mindman