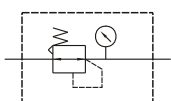


MAIR200 series

AIR UNITS (PRECISION REGULATOR)



Symbol



Specification

Model	MAIR200
Bore No.	8A
Port size	1/4
Medium	Air
Max. operating pressure	1 MPa
Proof pressure	1.5 MPa
Regulated pressure range	2K: 0.005~0.2 MPa
	4K: 0.01~0.4 MPa
	8K: 0.01~0.8 MPa
Sensitivity	Within 0.2% of full span
Repeatability	Within $\pm 0.5\%$ of full span
Ambient temperature	-5~+60°C (No freezing)
Attachment	Bracket
Option	Pressure gauge
Weight	300g

Order example

MAIR200-8A-2K-C-□

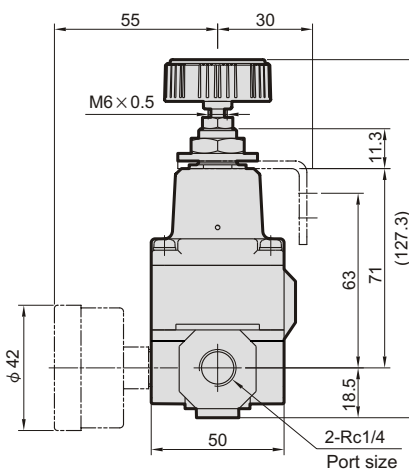
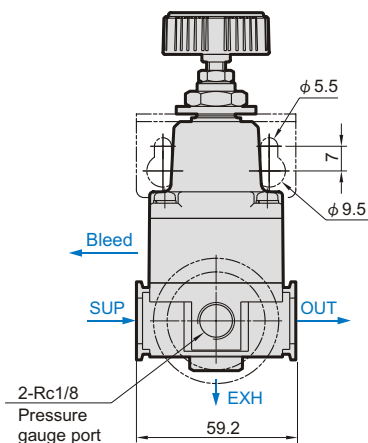
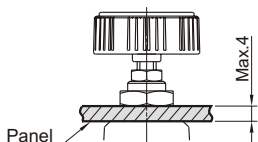
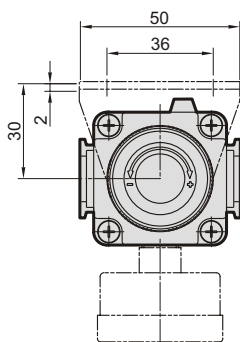
MODEL

BORE SIZE
8A : 1/4

PRESS. RANGE
2K : 0.005~0.2 MPa
4K : 0.01~0.4 MPa
8K : 0.01~0.8 MPa

PRESSURE
GAUGE
(PG-40S)

PORT THREAD
Blank: Rc thread
G: G thread
NPT: NPT thread



Flow feature

